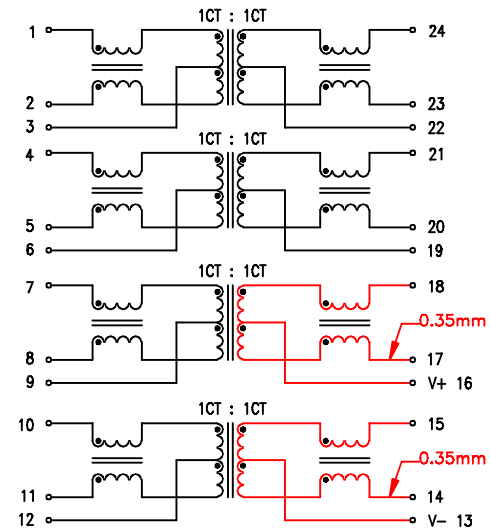


SUGGESTED PAD LAYOUT

UNLESS OTHERWISE SPECIFIED , ALL TOLERANCE ARE  $\pm 0.25$



ELECTRICAL CHARACTERISTICS :

- INSULATION HI-POT(PRI./SEC.) : 1500Vrms
- TURN RATIO ( $\pm 5\%$ ) : TX = 1CT : 1CT , RX = 1CT : 1CT
- OCL : 350uH MIN. 100KHz/0.1V AT 8mA DC BIAS
- INSERTION LOSS : 1-100MHZ = -1.0dB MAX.
- RETURN LOSS (dB MIN.) :
 

1-30MHz	40MHz	80MHz	100MHz
-18	-16	-12	-10
- CROSS TALK (dB MIN.) :
 

30MHz	60MHz	100MHz
-30	-30	-30
- OPERATING TEMPERATURE RANGE :  $-40^{\circ}\text{C} \sim +85^{\circ}\text{C}$
- RoHS COMPLIANT

							TITLE PoE SINGLE 1000 BASE-T	
							DWG. NO. ATPL-416R	
RELEASE					UNITS		SAFETY	
NO: DESCRIPTION					DATE		P/N:	
					DATE		DRAW	
REVISIONS							SHEET 1 of 1	